

3D-INTELLICLAMP

MULTIFUNCTIONAL CONNECTOR



3D multifunctional connector mounted inside of two units that will align both the units themselves and the two units in X-, Y- and Z-axis in relation to each other. Each half of the 3D-Intelliclamp multifunctional connector stabilize the separate units in 90° angle when mounted in the frame corners, and when connected to each other by tightening the connecting part the separate units are secured and aligned in all three dimensions in relation to each other. This patent pending solution do not only offer a perfect alignment and connection of your units, but it's also concealed and hidden on the inside creating a fabulous looking set of separate units coming together as one.

VDI
6022

MATERIAL

Covers: Zinc die cast and/or glass fibre reinforced Polyamide (PA6GF30)

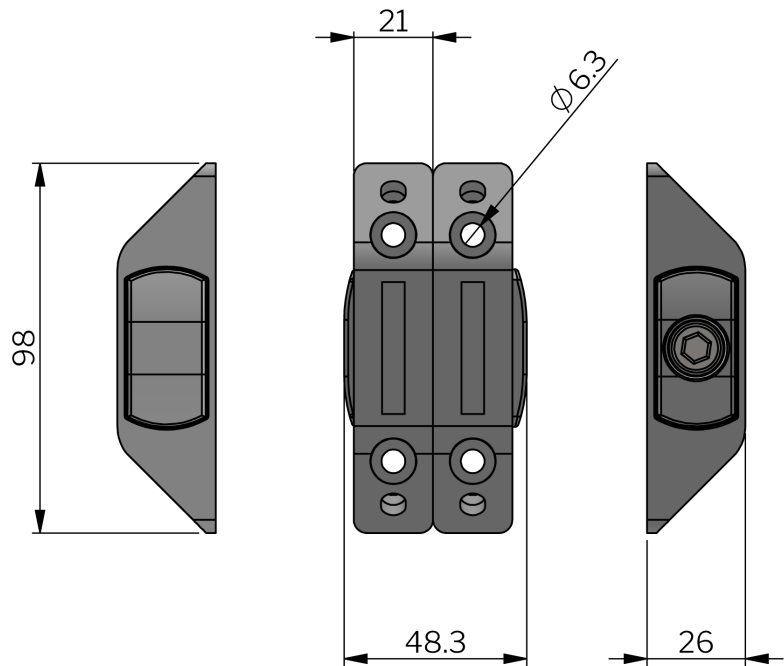
Interlocking parts: Zinkdruckguss, verzinkt oder mit schwarzem Strukturlack pulverbeschichtet

Mutter: Zinc die cast, chrome

Schraube: Edelstahl 303

ÄHNLICHE PRODUKTE

Ähnliche Produkte: 5-400, 5-401
Use the Index Code at industrilas.com



Bestell-Nr.	Oberfläche
271140-01	Verzinkt
271640-01	Schwarzem Strukturlack pulverbeschichtet

Industrilas
— When access counts —